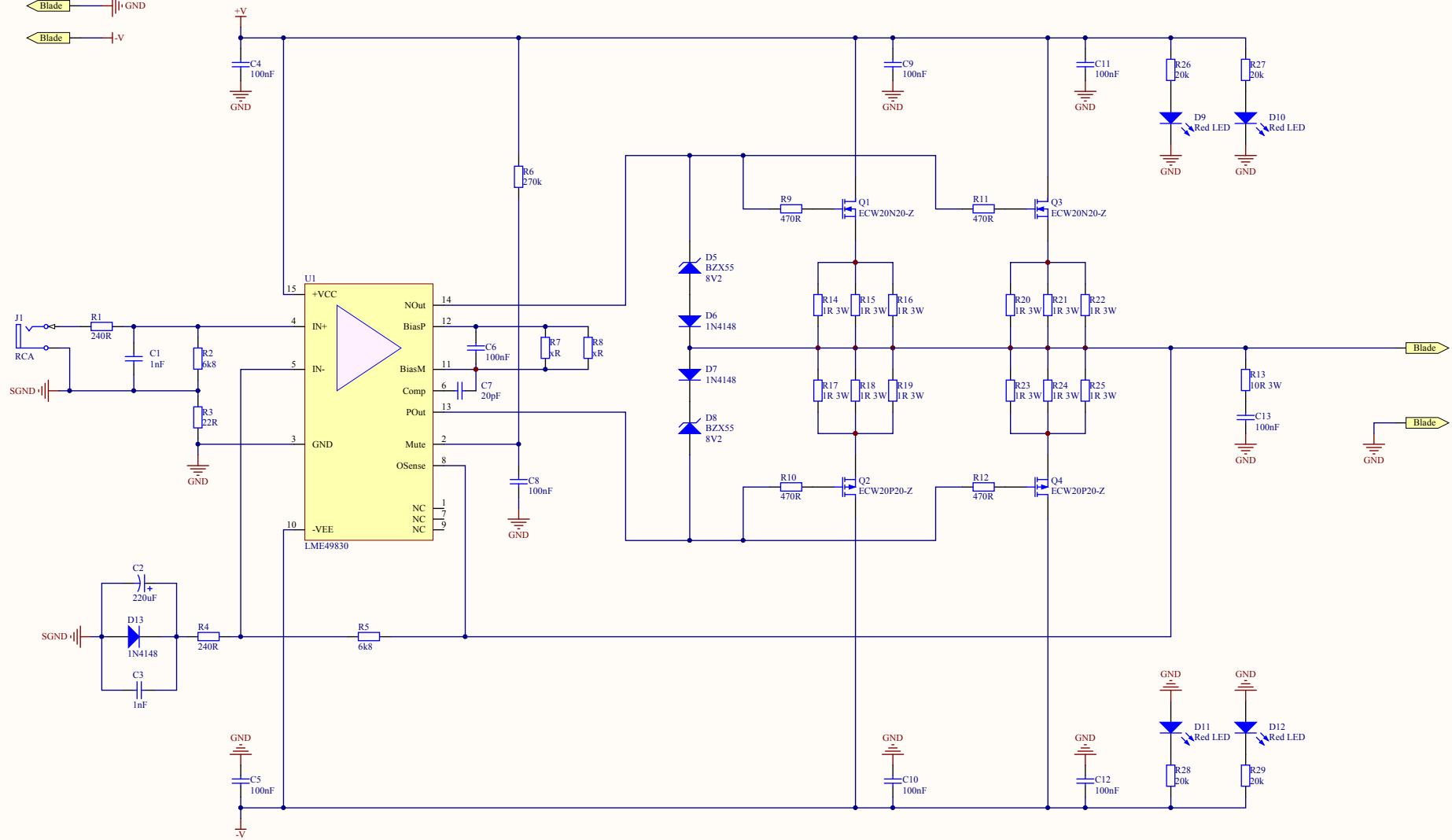
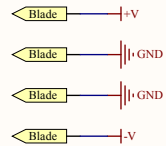
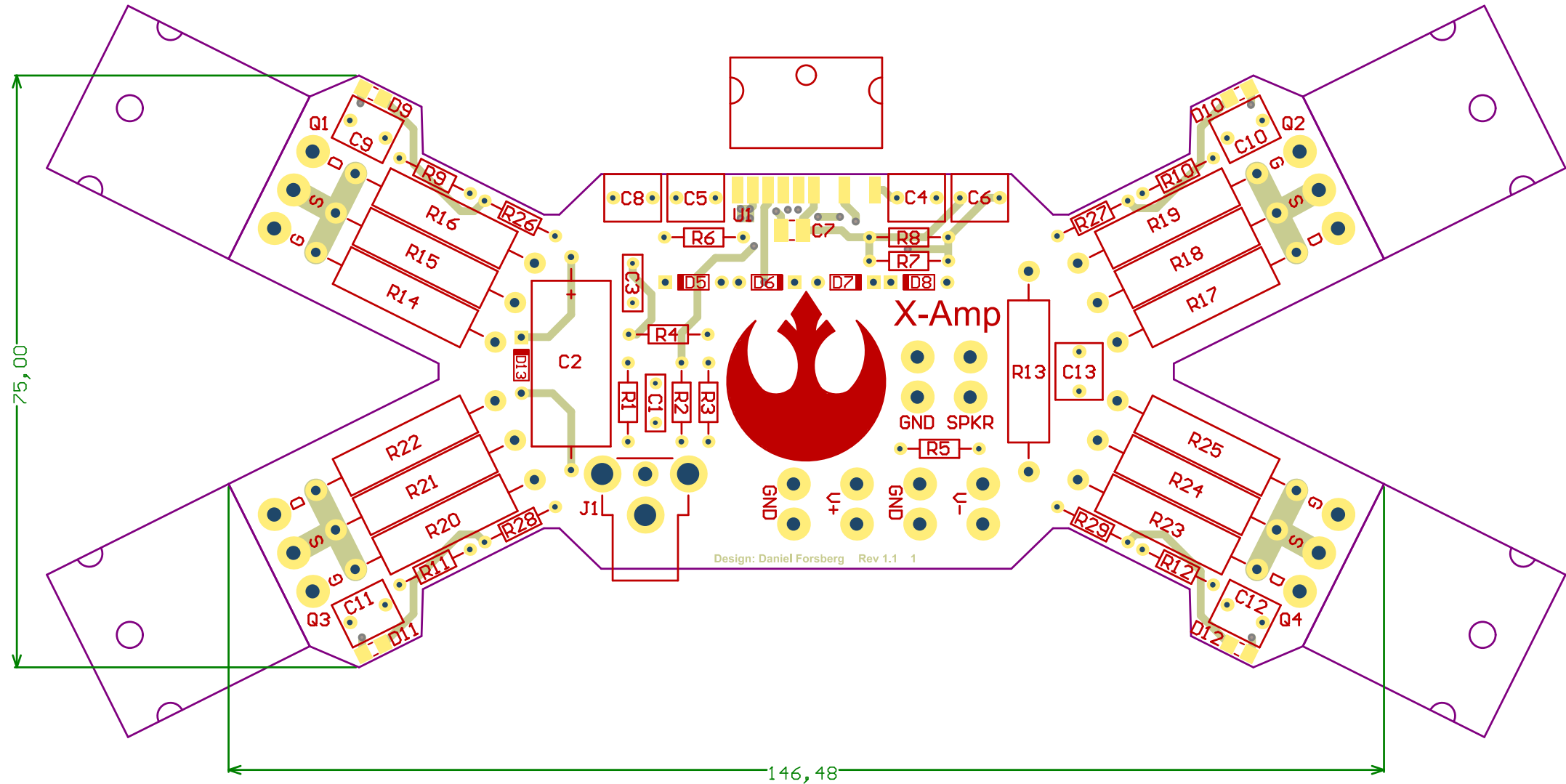


PSU:  $\pm 50$  to  $\pm 100$  V



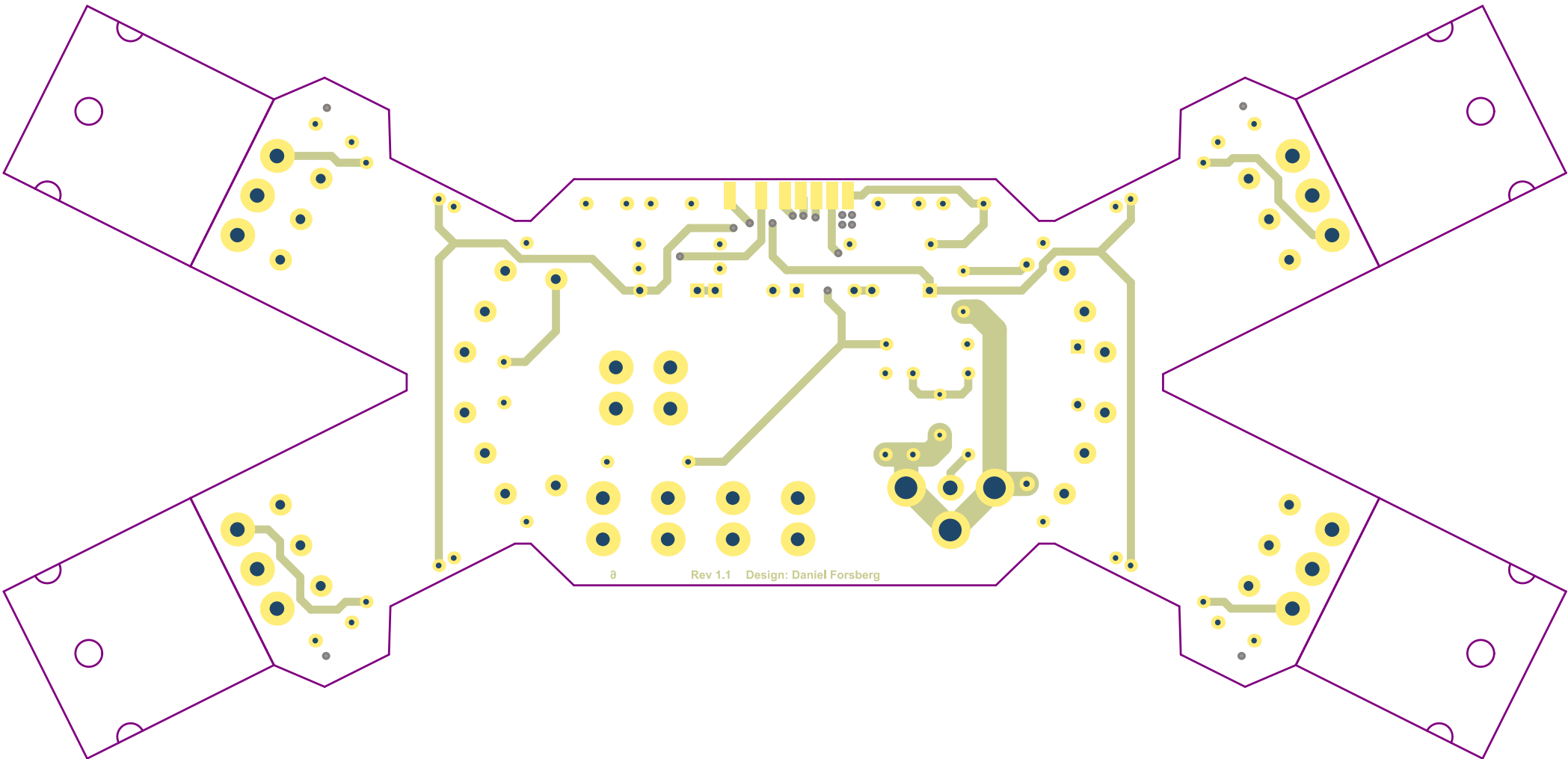
Title		
X-Amp		
Size	Number	Revision
A3		1.1
Date:	2011-06-26	Sheet 1 of 1
File:	C:\Arktiv\U.L-MOSFET.SchDoc	Drawn By: Daniel Forsberg

# X-Amp



Design: Daniel Forsberg Rev 1.1 1

[mm]



ø Rev 1.1 Design: Daniel Forsberg

# X-Amp

